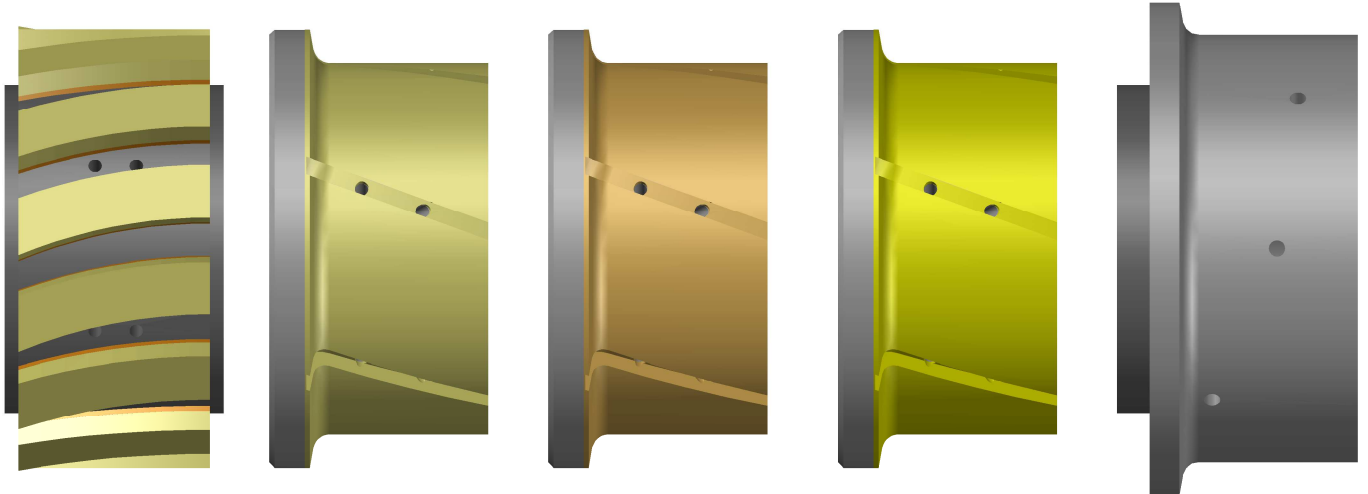
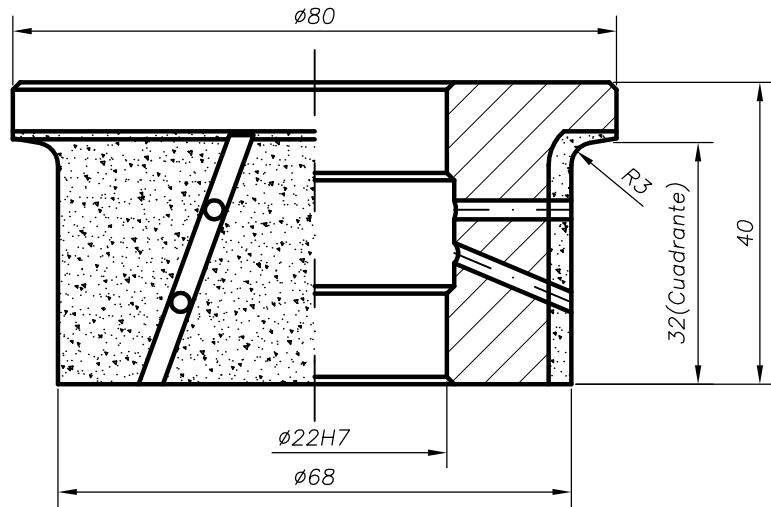
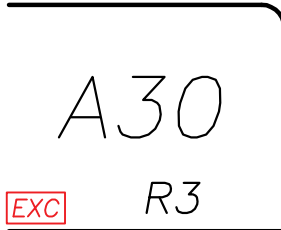


PERFIL/PROFILE:
A30 R3

NOMBRE/NAME:
BULLNOSE-30



	POS.	CODIGO/CODE	DESCRIPCION/DESCRIPTION
METALICA METALLIC	1	S-743319	CNC 22 D80 ZACK (Z0 30) M P.1 SEG EXC
	2	-	CNC 22 D80 ANA (A30 R3) M P.2 EXC
	3	-	CNC 22 D80 ANA (A30 R3) M P.3 ECX
	4	-	CNC 22 D80 ANA (A30 R3) M P.4 EXC
DIAMLOX	5	-	CNC 22 D90 ANA (A30 R3) DIAMLOX 1200